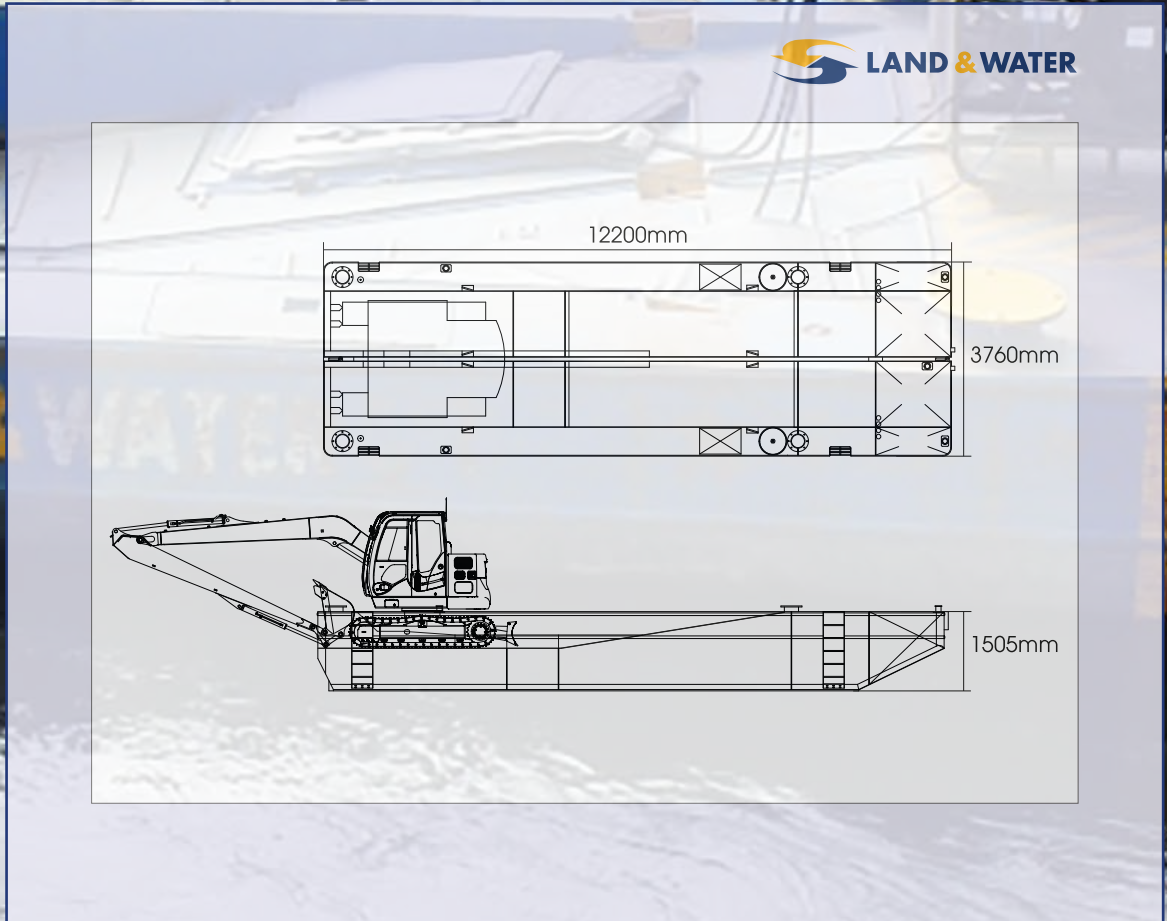


KNOCKDOWN

| PONTOON TYPE | MATERIAL | OVERALL LENGTH | OVERALL WIDTH | MAX SPUD LEG LENGTH | CARRYING CAPACITY |
|--------------|----------|----------------|---------------|---------------------|-------------------|
| Modular | Steel | 12.2m | 3.76m | 5m | 9T |

This road transportable pontoon has been designed to be used on the canal network and inland waterways. This pontoon can be supplied with up to 5m spud legs and can carry up to an 8½ Tonne Long Reach Excavator.



0844 225 1958
www.land-water.co.uk