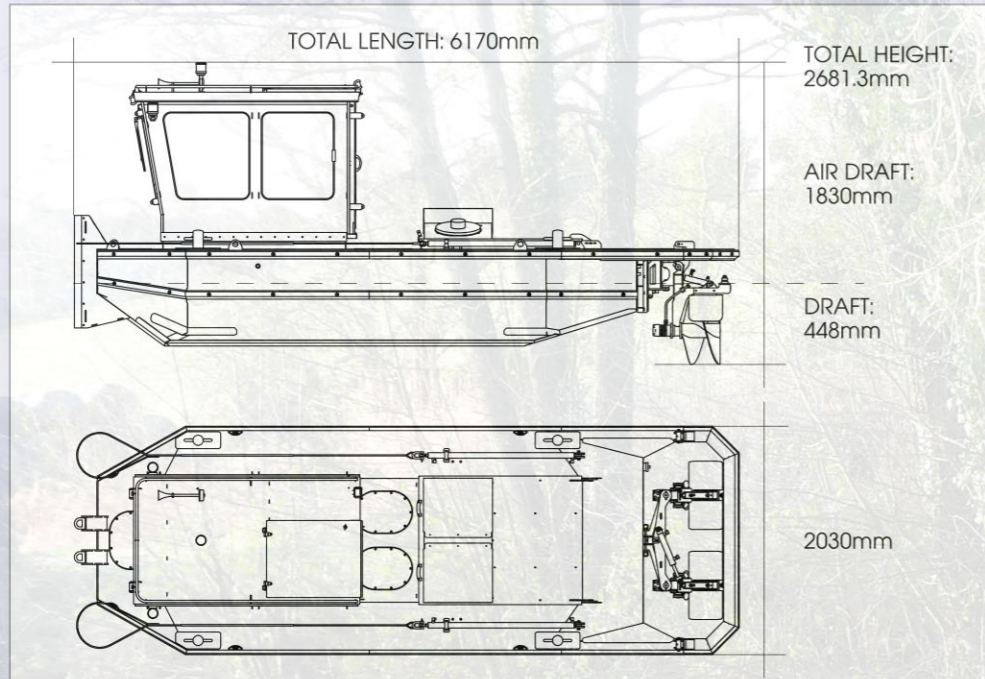
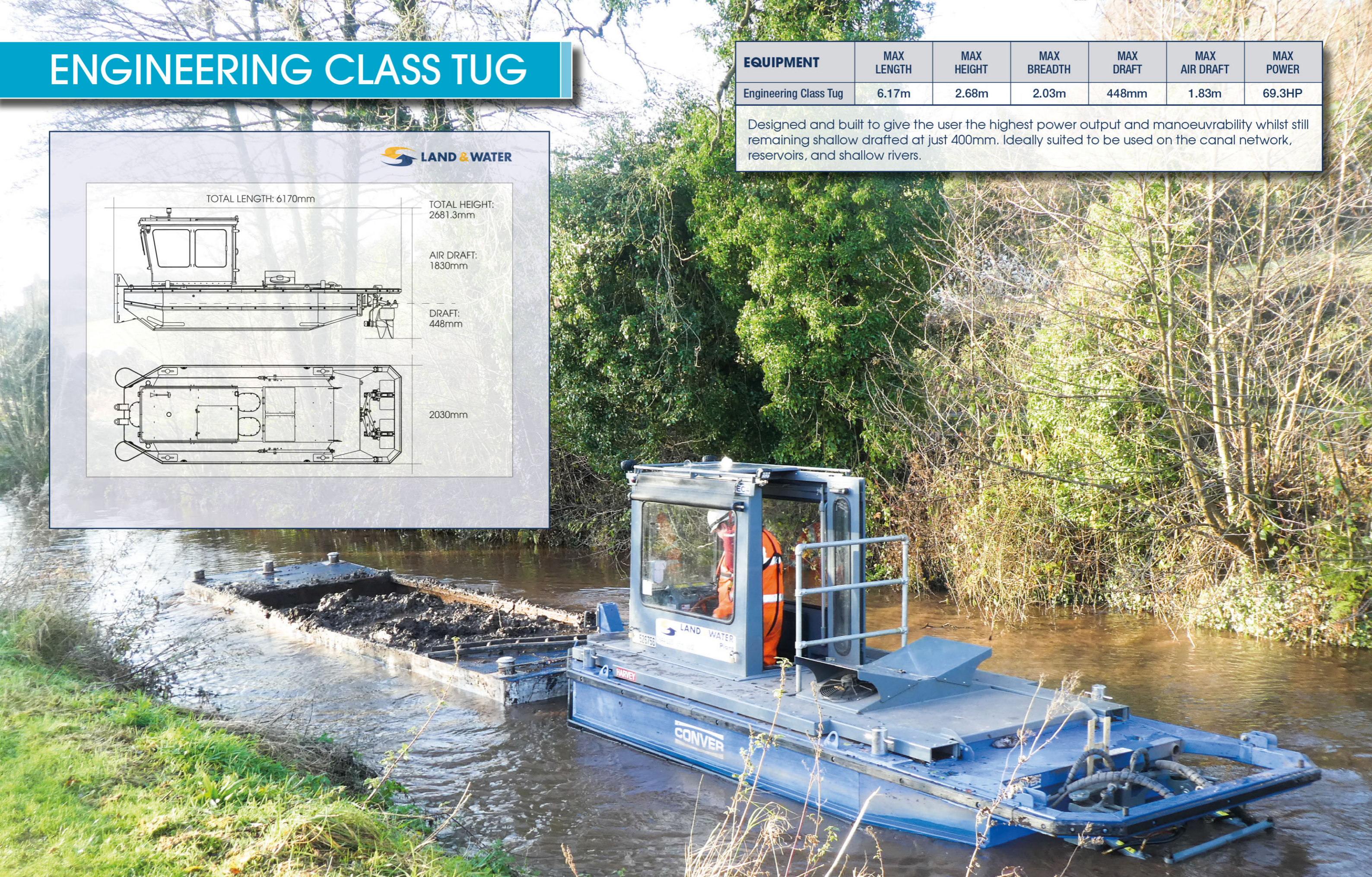


# ENGINEERING CLASS TUG



EQUIPMENT	MAX LENGTH	MAX HEIGHT	MAX BREADTH	MAX DRAFT	MAX AIR DRAFT	MAX POWER
Engineering Class Tug	6.17m	2.68m	2.03m	448mm	1.83m	69.3HP

Designed and built to give the user the highest power output and manoeuvrability whilst still remaining shallow drafted at just 400mm. Ideally suited to be used on the canal network, reservoirs, and shallow rivers.



0844 225 1958 (Option 2)

[www.land-water.co.uk](http://www.land-water.co.uk)