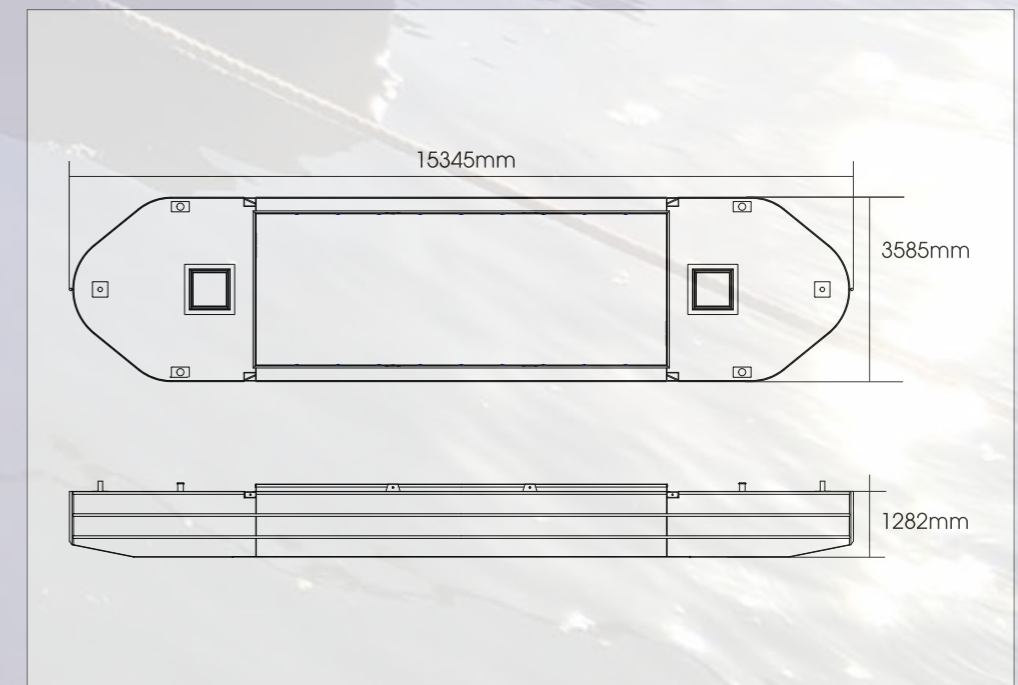
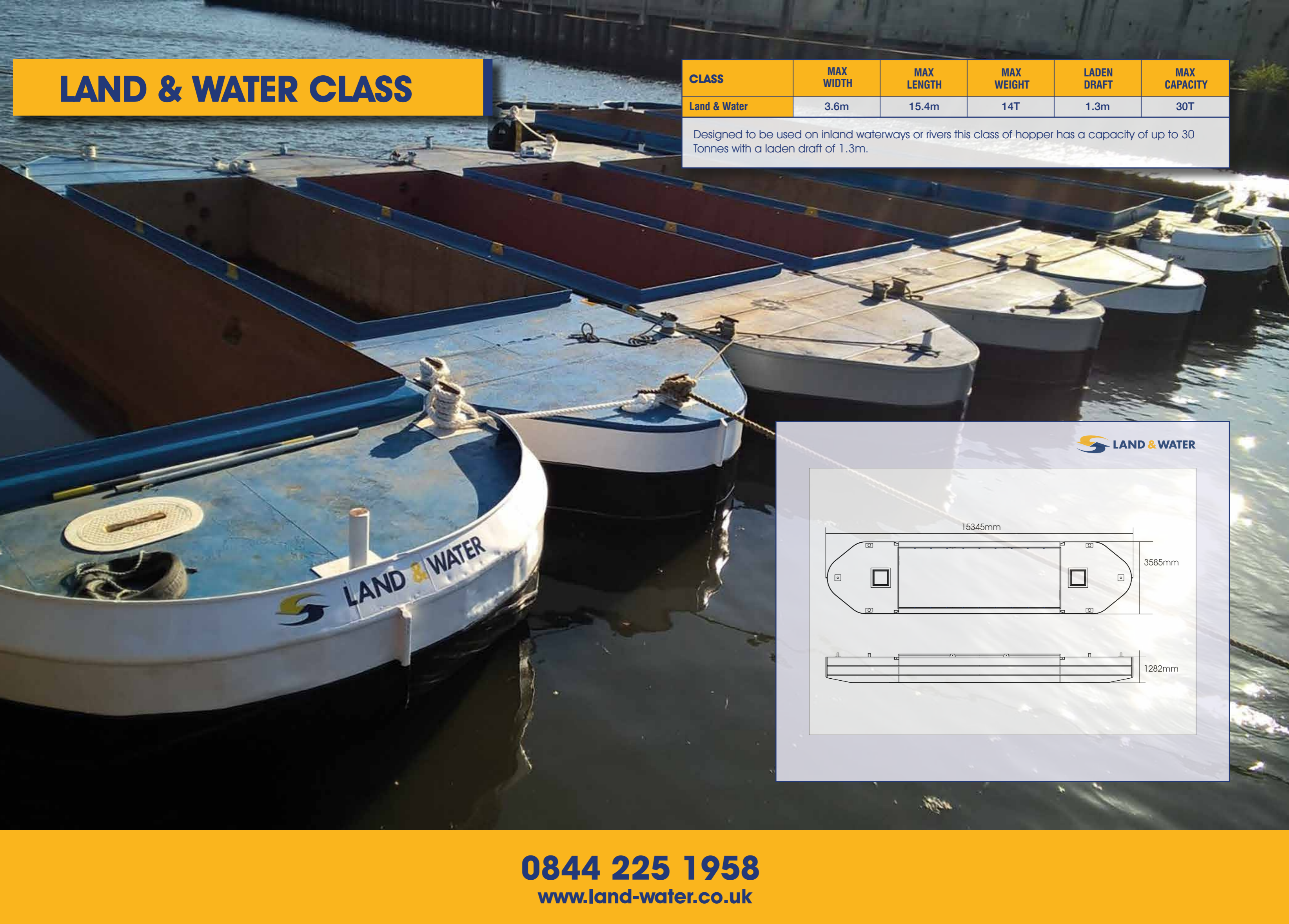


LAND & WATER CLASS

CLASS	MAX WIDTH	MAX LENGTH	MAX WEIGHT	LADEN DRAFT	MAX CAPACITY
Land & Water	3.6m	15.4m	14T	1.3m	30T

Designed to be used on inland waterways or rivers this class of hopper has a capacity of up to 30 Tonnes with a laden draft of 1.3m.



0844 225 1958
www.land-water.co.uk